



HR-95

AUTOMATIC DOORS ACTIVATION AND SAFETY

FLUSH UNDER TRANSOM MOUNTING UP TO 3 METRES HIGH

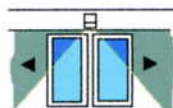
SPECIFICATION



TYPE	FLUSH MOUNT A.I.R PRESENCE SENSOR
MODEL	HR-95A, 12V ac/dc HR-95B 24V ac/dc
MOUNTING HEIGHT	UP TO 3 METRES
SENSITIVITY ADJUST	Sensitivity Dial
PATTERN ADJUST	TILTING 5° (In 3 steps) DEPTH DIP SW: 1,2,3 OR 4 ROWS WIDTH Area masking seal
POWER SUPPLY	12V±10% ac/dc 24V±10 ac/dc
CONSUMPTION	80mA max
OUTPUT	RELAY, 0.1A 50V Close on detect
OUTPUT DELAY	0.5 Sec
PRESENCE TIMER	2, 15, 60 OR 180 Secs. by DIP switch
LED indication	Active RED, Detect GREEN, Fault ORANGE
TEMP RANGE	-20 to +60°C
WEIGHT	Approx 300g
ACCESSORIES	Cable 1.5M, Mounting template, Area seals, Instructions

COMPLETELY HIDDEN -- BUILT-IN UNDER TRANSOM OR CEILING
UP TO 3 METRES HIGH -- EASY ADJUSTMENT AFTER FITTING

- **Activation and Safety in one housing**
- **Detects pedestrians and inanimate objects**
- **Automatically adjusts to the installed environment**
- **Concealed housing**
- **Threshold safety enhanced by under transom mounting**
- **Highly defined active area**
- **High density pattern---32 individual zones**
- **Programmable presence timer**
- **Available in 12 or 24 volt ac/dc versions**
- **Quick installation and easy to adjust**
- **Fail safe—Output gives door open signal on power down**



IN CONTROL

TRITON CONTROLS LTD., UNIT 2, RANDOLPH INDUSTRIAL ESTATE, EVENWOOD,
BISHOP AUCKLAND, CO. DURHAM DL14 9SJ

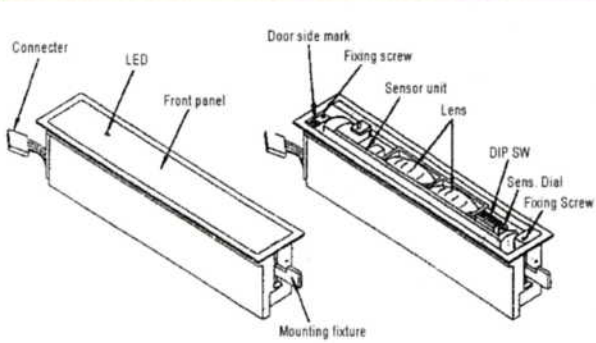
Tel. +44 (0) 1388 833000 Fax +44 (0) 1388 833680

web. www.tritoncontrols.co.uk

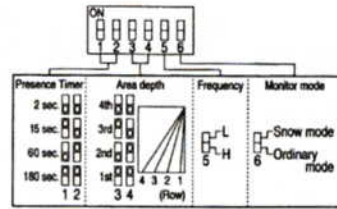
e-mail info@tritoncontrols.co.uk



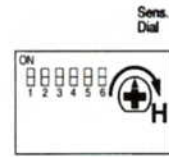
ADJUSTMENT BY DIP SW, SEAL, DIAL & TILTING



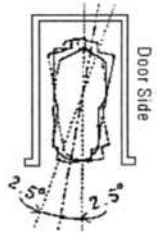
■ DIP SWITCH



■ DIAL

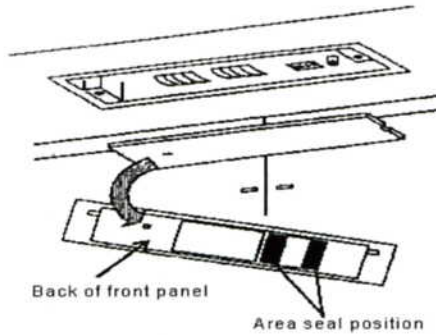


■ Tilting



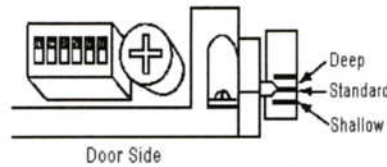
DETECTION AREA

■ Front view (unit : m)



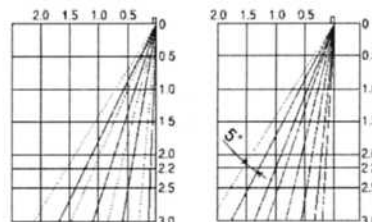
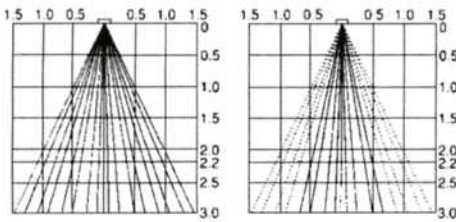
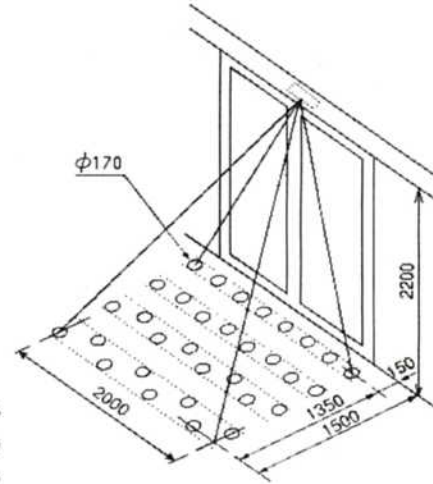
■ Side view (unit : m)

Adjustment by mechanical tilting

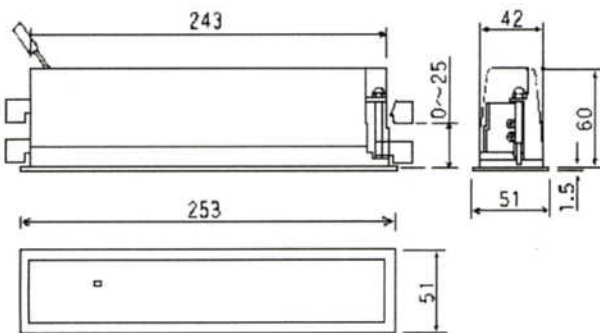


4th row, 3rd row & 2nd row
can be cancelled by DIP SW

■ Bird's Eye view (unit : m) (5° max - tilted)



EXTERNAL DIMENSIONS & MOUNTING HOLE DIMENSIONS (unit mm)



Optional : Supplementary panel

