

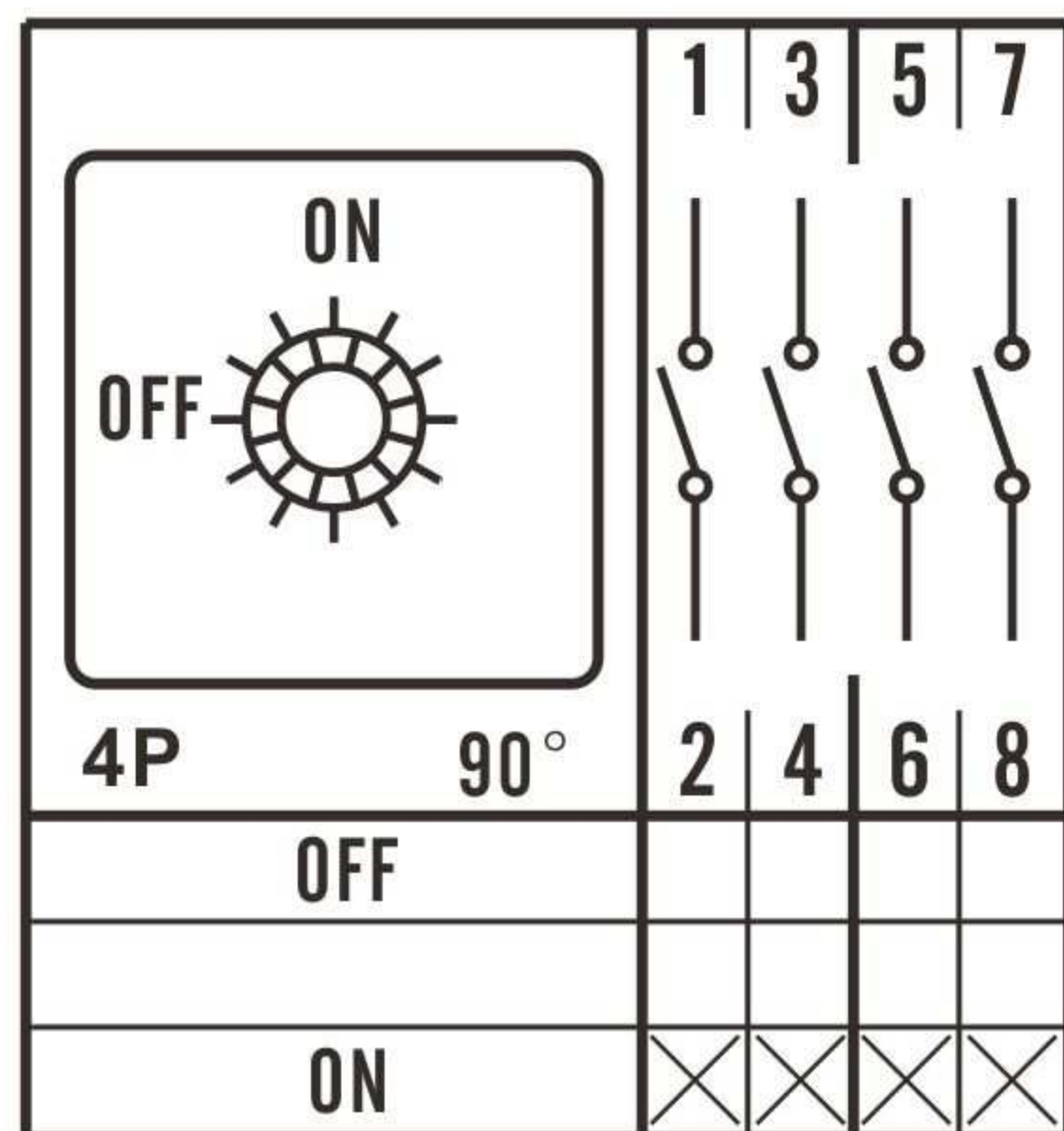
According to IEC 60947-3, EN 60947-3



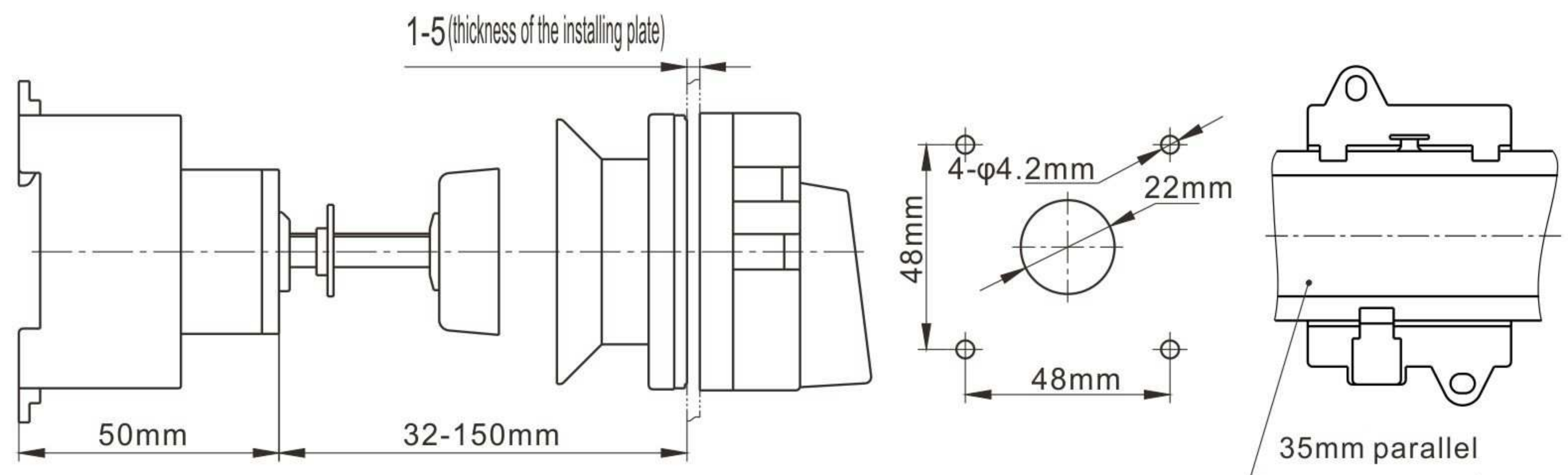
Rated Thermal Current $I_U/I_{th}/I_{the}$					
				A	32
Rated Insulation Voltage U_i ¹					
				V	690
Rated Impulse Withstand Voltage U_{imp}					
				kV	6
Rated Operational Current I_e					
AC-21A	Switching of resistive loads, including moderate overloads			A	32
AC-22A	Switching of combined resistive or low inductive loads including moderate overloads		220 V–500 V 660 V–690 V	A	32 32
Rated Utilization Category					
AC-3	Direct-on-line starting	3 phase, 3 pole	220 V–240 V 380 V–440 V 500 V 660 V–690 V	kW	5,5 7,5 7,5 7,5
AC-23A	Frequent switching of motors or other high inductive loads	3 phase, 3 pole	220 V–240 V 380 V–440 V 500 V 660 V–690 V	kW	5,5 11 11 11
Short Circuit Protection					
Max. fuse size				gG-characteristic	A 35
Rated short-time withstand current				(1 s-current)	A 430
For connections with insulated ring and fork type cable terminal - copper wires only					
	Single-core or stranded wire			mm ²	6
	Flexible wire			mm ²	4
	Flexible wire with sleeving in accordance with DIN 46228			mm ²	4

¹ Valid for lines with grounded common neutral termination, overvoltage category III, Other values on request.

Diagram OFF-ON 4P



Dimension



Miscellaneous

Tightening torque of terminal screw:	1,25 Nm (11 lb-in)
Minimum Voltage:	on request
Power loss per contact at I_U:	1,1 W
Resistance to vibration:	min. 4 g, 2-100 Hz, 1,6 mm
Resistance to shock:	min. 5 g, 6 ms
Min. Ambient Temperature of Stages:	-5 °C
Max. Ambient Temperature of Stages:	open at 100 % I_U/I_{th} : 50 °C during 24 hours with peaks up to 55 °C enclosed at 100 % I_{the} : 35 °C during 24 hours with peaks up to 40 °C
Storage temperature:	-40 °C to 85 °C (in case of temperature below -5 °C no shock load permissible)

Approvals and Standards

