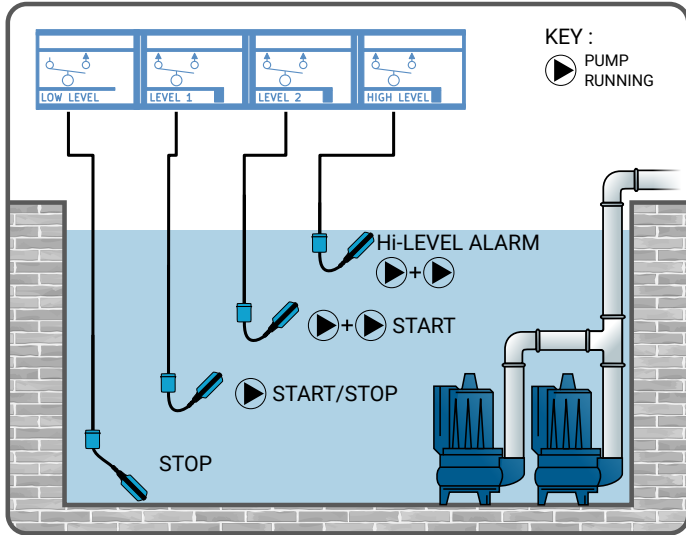


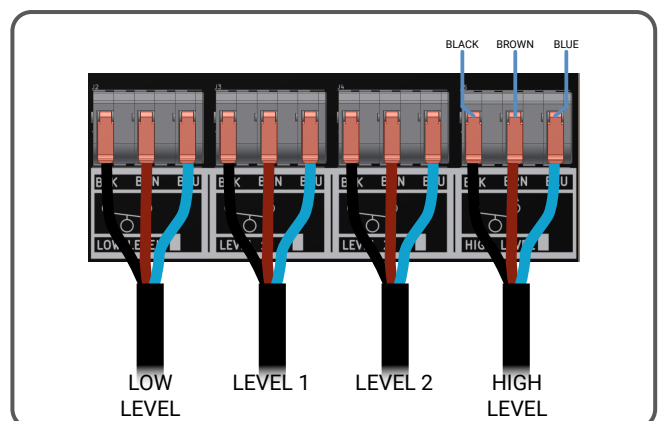
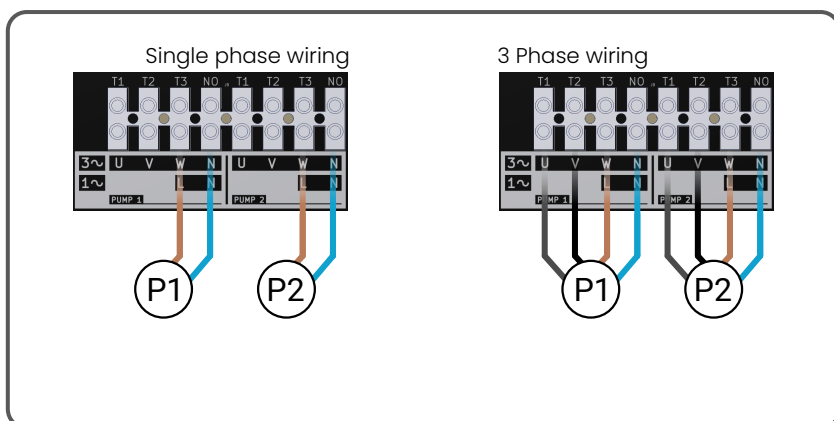
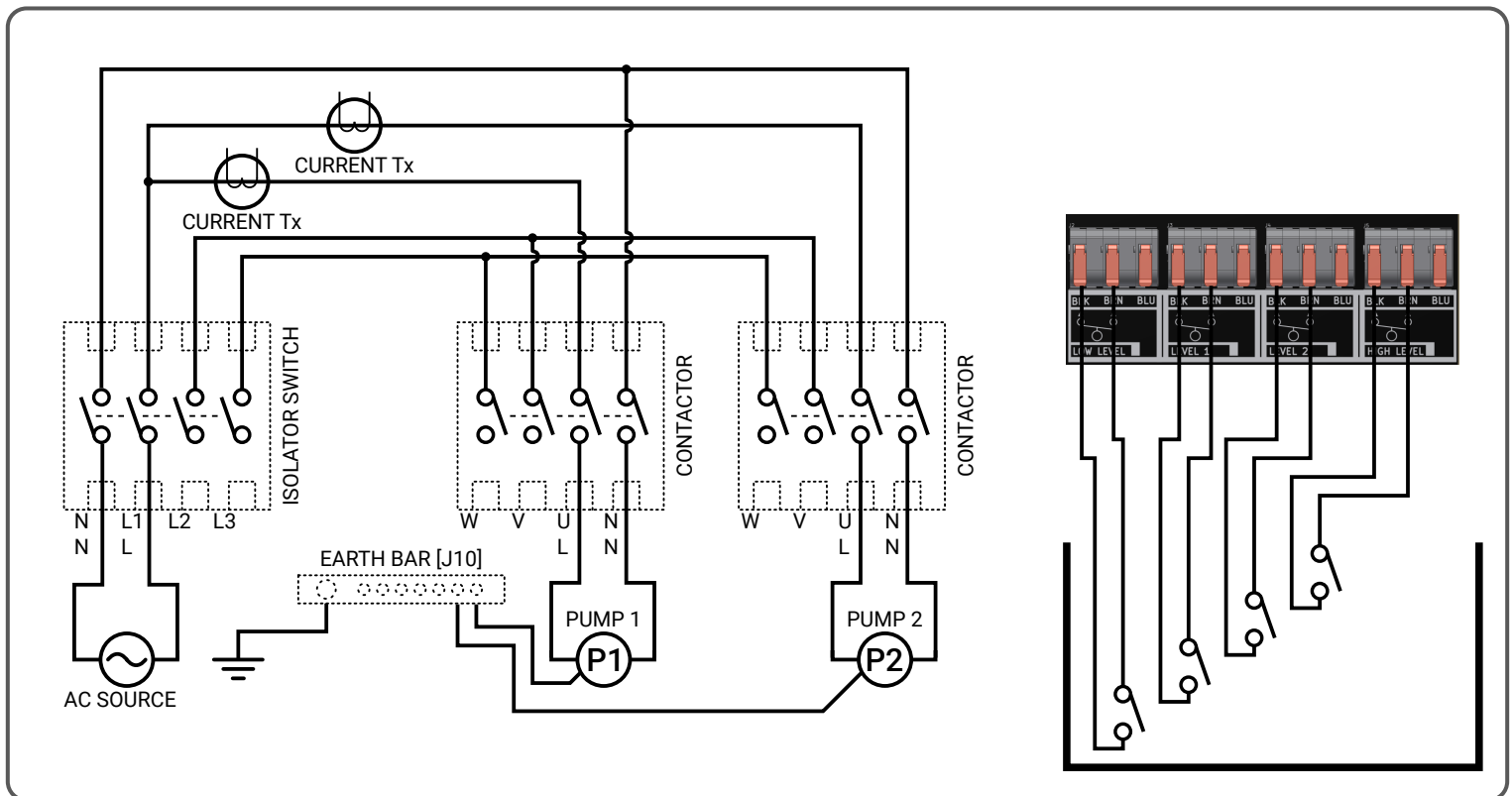
Quick Start Guide

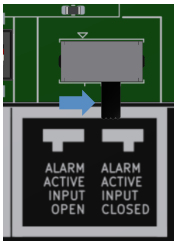


Download the Full Manual:

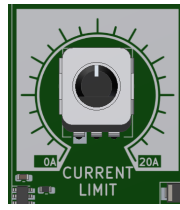


For other functions and complete installation instructions, download the full manual above.





Set the switch to
ALARM ACTIVE
INPUT CLOSED

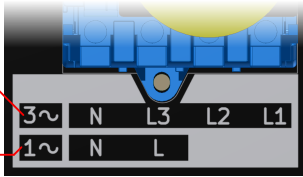


Adjust the current limit dial to
the required setting.
The current limit is set for both
pump 1 and pump 2 and is
settable between 0-20A.

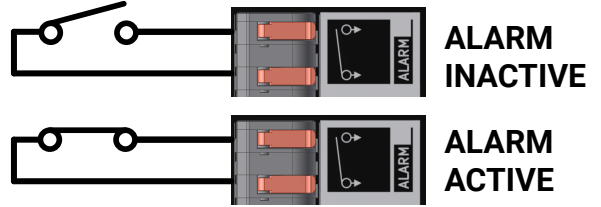
Isolator Switch

3 Phase wiring

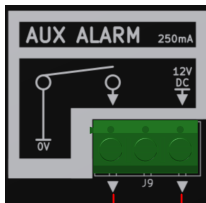
Single phase
wiring



Volt Free Alarm Output



Auxiliary Alarm



0V SWITCHED NEGATIVE

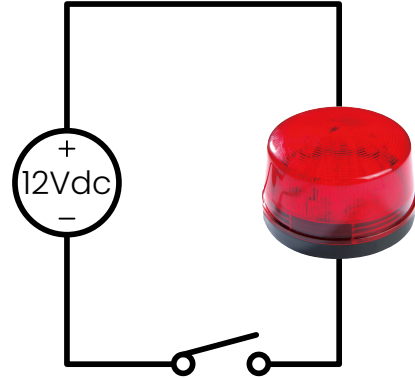
12Vdc

Optional Accessories can be fitted to the
auxiliary alarm connector J9.
E.g., an external beacon.

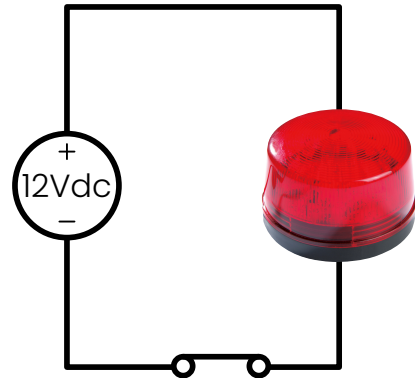
The auxiliary alarm provides a 12Vdc
250mA output during an activated alarm.

NOTE: External circuitry connected to the
auxiliary alarm will affect the backup
battery performance.

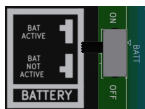
ALARM
INACTIVE



ALARM
ACTIVE



Backup Battery



During installation, activate the battery module by setting the
battery switch to active. The LED internal power
indicator will illuminate once the backup battery circuit is active.

Over-Temperature Sensors

The pumps have the option for over-temperature
alarms via the TEMP 1 & 2 terminals.

When the inputs are open circuit the
over-temperature alarm is activated and the
pump will cease running. The other pump will be
activated, if it is not already and both pumps are
set to "AUTO".

EXAMPLE:

