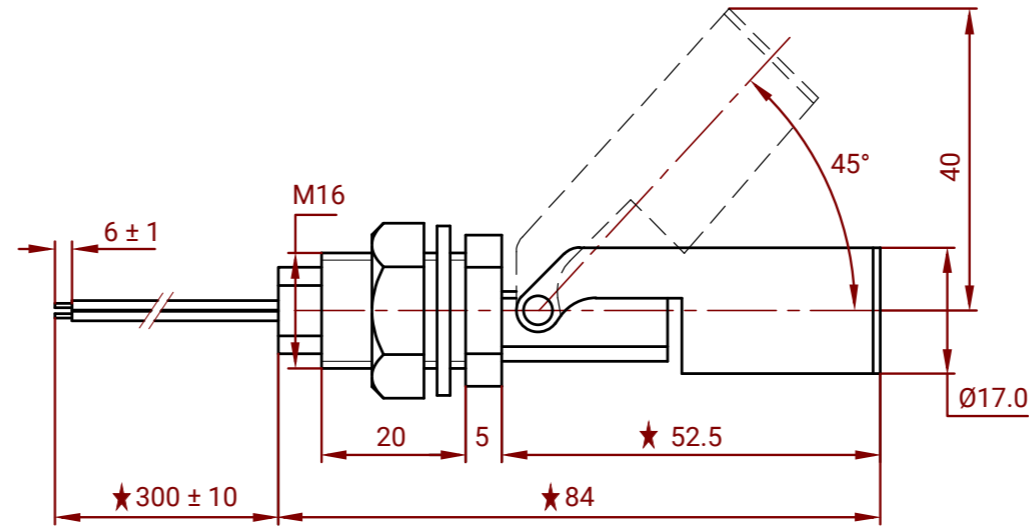
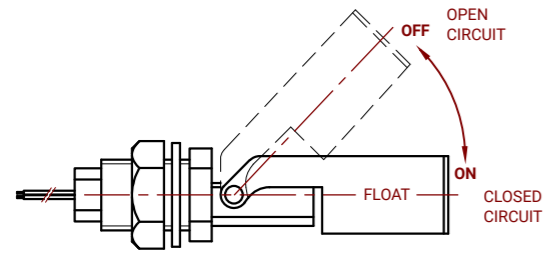


Movement explanation



SPECIFICATION

Reed switch electrical specification

Contact form	NO
Contact rating[W]	10
Max switching voltage[V]	DC100/AC100
Breakdown voltage[V]	150VDC
Max switching current[A]	DC0.5
Max carry current[A]	1.0
Contact resistance[mΩ]	100max
Insulation resistance[Ω]	10 ⁹ min

Product features

Float body material	PP
Wire coating material	PVC
Float pressure[MPa]	0.1
Applicable temperature[°C]	-10 +85
Withstand voltage	1000V/10s

Made in CHINA, distributed by Triton Controls Ltd

Tolerances 1 ± 0,5 1,2 ± 0,05 1,23 ± 0,005 1,234 ± 0,0005 [Unless Specified]	Drawing Number 1121300	Scale 1:1	Sheet Size A3	Date 09/01/2023	Revision 1.0	Sheet 1 / 1
	Drawing Title LR21 Float Switch					
Drawn By John W	Dimensions mm					